

Symbolbeschreibung siehe M16 / symbol description see M16 / désignation de système voir M16 /

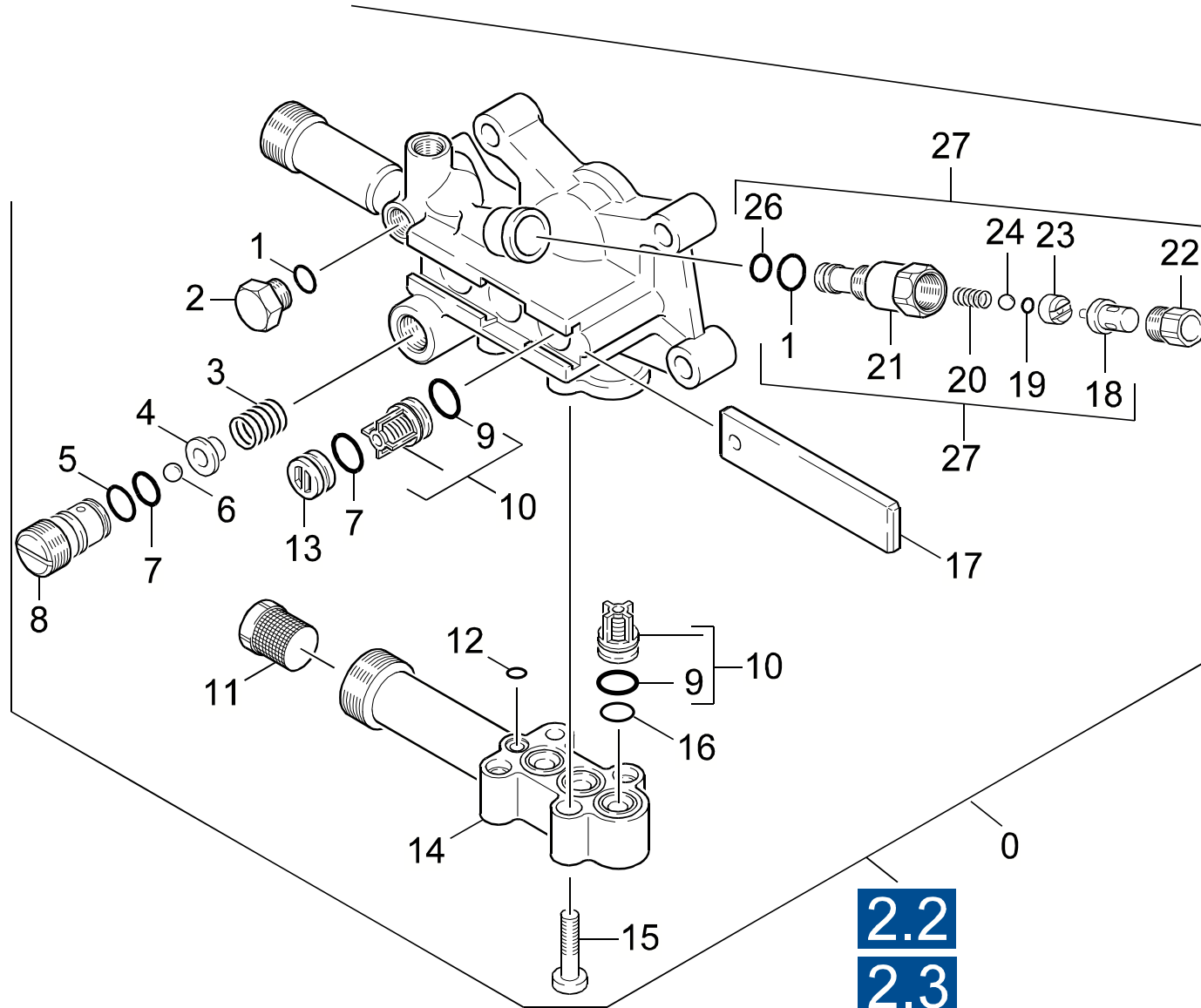
GRUPPE: 1.0 EINZELTEILE
GROUP: 1.0 PIECE PARTS
GRUPPE: 1.0 PIECES CONSTITUANTES

C1

HD 2500 MTD

POS. ITM. POS.	BENNENUNG DESCRIPTION DESIGNATION	TEILE-NR. PART-NO. NO.PIECE	STCK QTY. NBR.
1	BOLZEN 6/16"-18X1.75" / BOLT / BOULON	9.182-514.0	1
2	STERNGRIFF / CONTROL KNOB / POIGNEE-ETOILE	9.182-354.0	2
3	FL.RD.SCHR 5/16X1,5 / SAUCER-HEAD SCREW / BOULON A TETE BOMBEE	9.196-304.0	2
5	GUMMIPUFFER / RUBBER BUFFER / BUTOIR CAOUTCHOUC	9.183-405.0	2
6	BOLZEN 5/16"-18X3/4 / BOLT / BOULON	9.196-308.0	2
7	KAPPE / CAP / CAPUCHON	9.182-506.0	2
8	RAD DMR 260X84 / WHEEL / ROUE	9.189-007.0	2
9	STOPFEN SCHWARZ / PLUG / BOUCHON	9.183-001.0	2
10	HALTER / BRACKET / FIXATION	9.182-515.0	1
11	SCHEIBE / WASHER / RONDELLE	9.198-003.0	2
12	MUTTER / NUT / ECROU	5.310-105.0	2
13	SCHR 5/16-18X1,75 / SCREW / VIS	9.196-306.0	2
14	SCHEIBE 8 / WASHER / RONDELLE	7.312-004.0	10
15	MUTTER / NUT / ECROU	9.197-002.0	10
16	ABSTANDSHALTER / SPACER / PINECE INT.	9.183-403.0	4
17	ABLAGE REINIGUNGSMITTEL / COVER / COUVERCLE	9.134-007.0	1

"=> xxxxxx" = bis Werknummer / up to serial No. / jusqu' au No. de fabr. / "xxxxxx =>" = ab Werknummer / from serial No. / a partir du No. de fabr. /



2.2
2.3
3.2

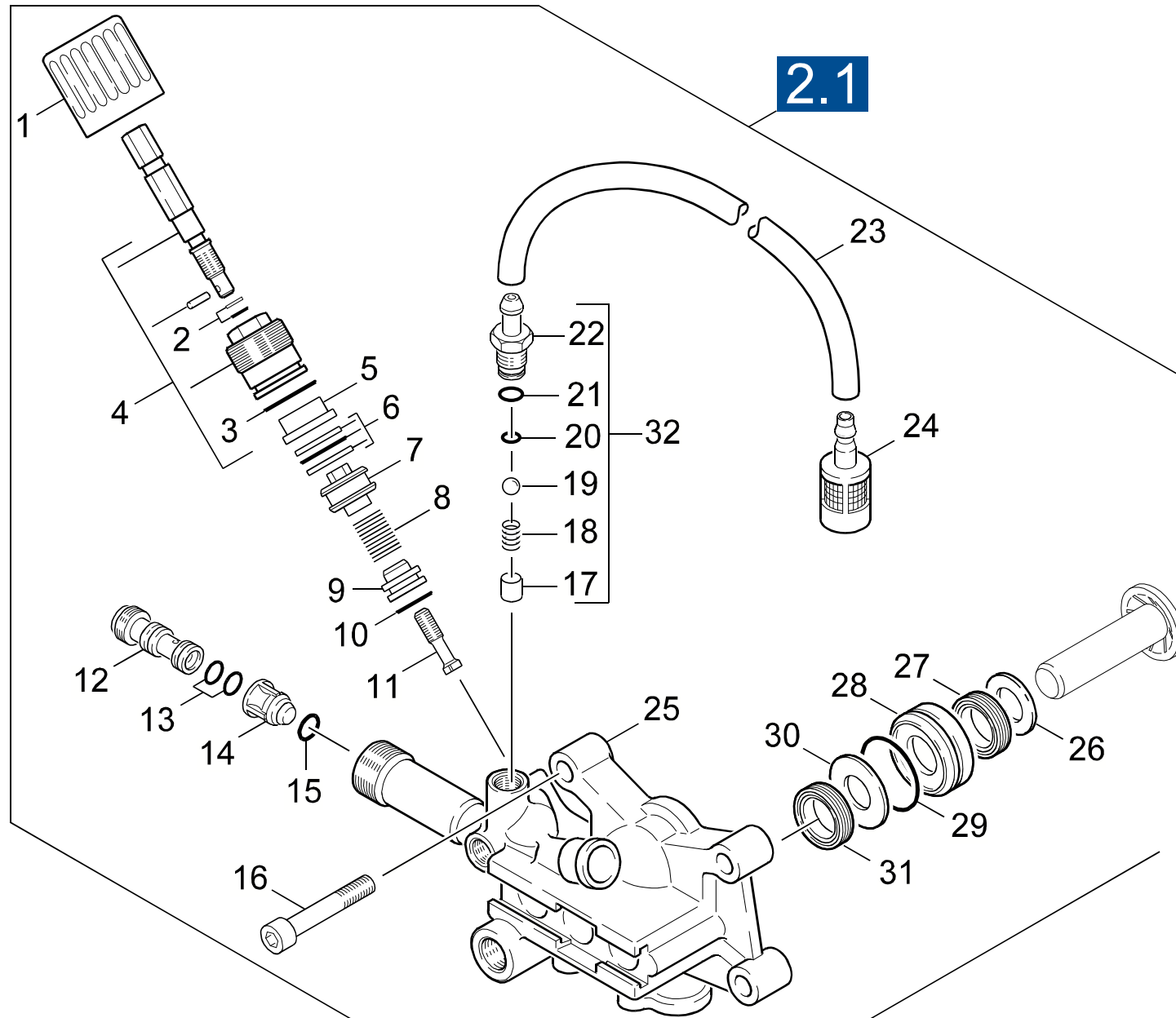
GRUPPE: 2.1 ZYLINDERKOPF
GROUP: 2.1 CYLINDER HEAD
GROUPE: 2.1 CULASSE

C2

HD 2500 MTD

POS. ITM. POS.	BENNENUNG DESCRIPTION DESIGNATION	TEILE-NR. PART-NO. NO.PIECE	STCK QTY. NBR.
0	PUMPENSATZ HD 690 III / PUMP SET / JEU (ENSEMBLE) DE POMPE	3.532-785.0	1
1	O-RING 8 X 2 / GASKET / BAQUE D'ETANCHEITE	6.362-101.0	2
2	VERSCHLUSSCHRAUBE / CLOSING SCREW / VIS DE FERMETURE	5.411-070.0	1
3	SCHRAUBENFEDER / HELICAL SPRING / RESSORT CYLINDRIQUE	5.332-446.0	1
4	VENTILTELLER / VALVE DISC / TETE DE SOUPAPE	5.582-119.0	1
5	O-RING 12,0 X 2,0 / GASKET / BAQUE D'ETANCHEITE	6.362-169.0	1
6	KUGEL 7,0 / BALL / BOULE	7.401-909.0	1
7	O-RING 11,0 X 2,0 / GASKET / BAQUE D'ETANCHEITE	6.362-458.0	5
8	VENTILSCHRAUBE / VALVE SCREW / VIS POINTEAU (SOUP.)	5.583-164.0	1
9	O-RING 10 X 2,2 / GASKET / BAQUE D'ETANCHEITE	6.362-077.0	1
10	VENTIL KPL. / VALVE / SOUPAPE	4.580-371.0	6
11	SIEB / STRAINER / CREPINE	6.414-252.0	1
12	O-RING 6,0 X 1,0 / GASKET / BAQUE D'ETANCHEITE	6.362-472.0	1
13	VERSCHLUSSTOPFEN / DRAIN PLUG / BOUCHON	5.132-100.0	4
14	SAUGDECKEL / COVER / COUVERCLE	5.063-897.0	1
15	SCHRAUBE M 6X 30 / SCREW / VIS	7.306-105.0	4
16	O-RING 14,0 X 1,5 / GASKET / BAQUE D'ETANCHEITE	6.362-533.0	3
17	PLATTE / PLATE / PLAQUE	5.003-983.0	1
18	THERMOVENTIL / VALVE / SOUPAPE	6.413-067.0	1
19	O-RING 4,47X 1,78 / GASKET / BAQUE D'ETANCHEITE	6.362-853.0	1
20	SCHRAUBENFEDER / HELICAL SPRING / RESSORT CYLINDRIQUE	5.332-233.0	1
21	SCHRAUBSTUTZEN / SCREW UNION / RACCORD FILETE	5.402-640.0	1
22	VERSCHLUSSCHRAUBE / CLOSING SCREW / VIS DE FERMETURE	5.411-150.0	1
23	SCHEIBE / WASHER / RONDELLE	5.115-876.0	1
24	KUGEL 4,762 / BALL / BOULE	7.401-009.0	1
26	O-RING 6,75X 1,78 / GASKET / BAQUE D'ETANCHEITE	6.362-498.0	1
27	THERMOVENTIL / VALVE / SOUPAPE	4.580-358.0	1
100	ET-SET PUMPENSATZ / SPARE PARTS SET / JEU DE PIECES DECHANGE	2.884-215.0	1

"=> xxxxxx" = bis Werknummer / up to serial No. / jusqu' au No. de fabr. / "xxxxxx =>" = ab Werknummer / from serial No. / a partir du No. de fabr. /



Symbolbeschreibung siehe M16 / symbol description see M16 / désignation de système voir M16 /

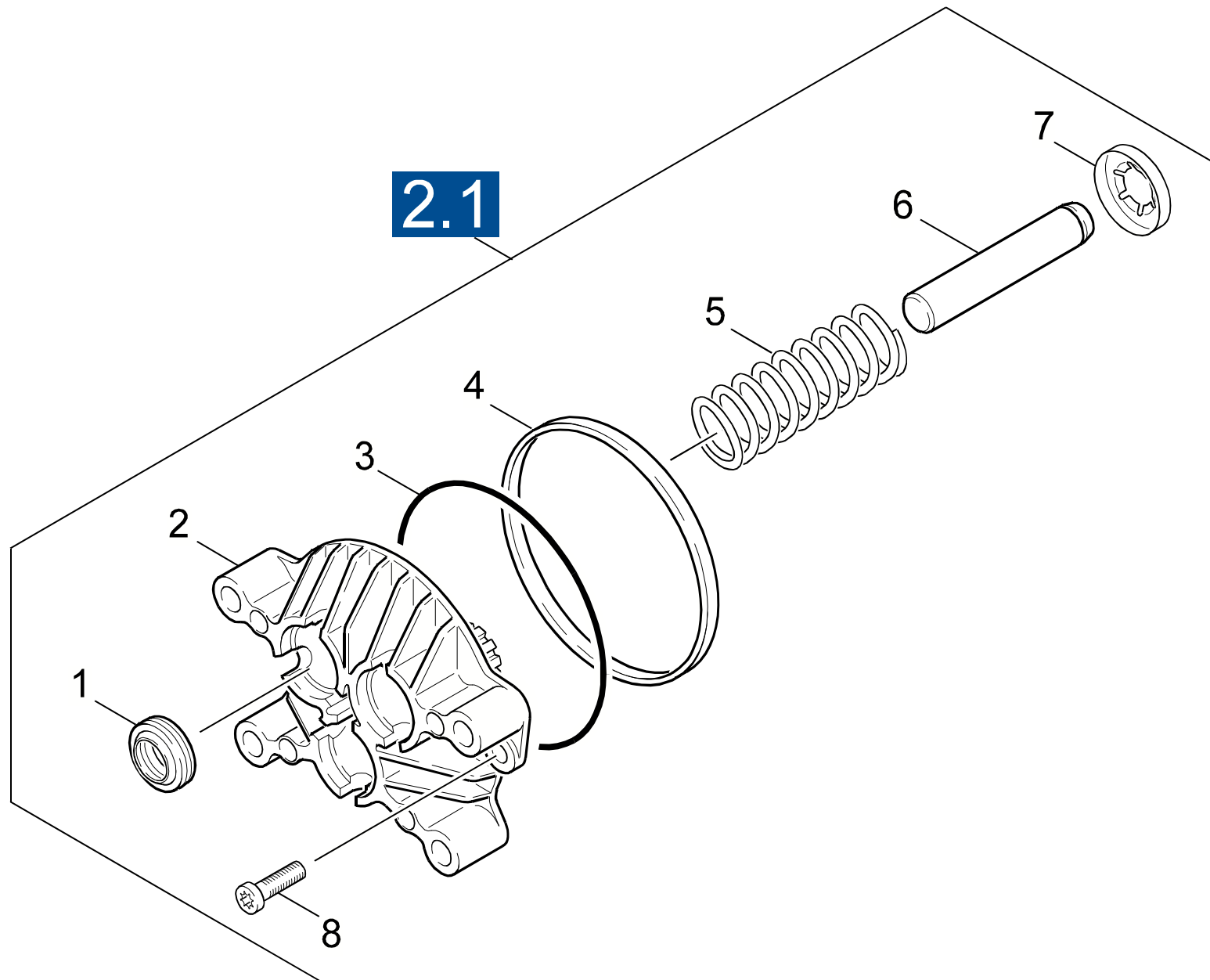
GRUPPE: 2.2 CHEMIE
GROUP: 2.2 CHEMISTRY
GROUPE: 2.2 CHIMIE

E2

HD 2500 MTD

POS. ITM. POS.	BENNENUNG DESCRIPTION DESIGNATION	TEILE-NR. PART-NO. NO.PIECE	STCK QTY. NBR.
1	GRIFF / HANDLE / POIGNEE	5.321-307.0	1
2	O-RING KPL./1ST.-R. / GASKET / BAQUE D'ETANCHEITE	6.362-468.0	1
3	O-RING 18,0 X 2,0 / GASKET / BAQUE D'ETANCHEITE	6.362-989.0	1
4	VERSCHRAUBUNGSTEIL / SCREW UNION PART / PIECE (RACCORD A VIS)	4.401-079.0	1
5	HUELSE / SLEEVE / DOUILLE	5.110-630.0	1
6	O-RING KPL./2ST.-R. / GASKET / BAQUE D'ETANCHEITE	6.362-454.0	1
7	KOLBEN UEBERSTROEM. / PISTON / PISTON	5.553-363.0	1
8	SCHRAUBENFEDER / HELICAL SPRING / RESSORT CYLINDRIQUE	5.332-425.0	1
9	VENTILSITZ / VALVE SEAT / SIEGE DE SOUPAPE	5.581-242.0	1
10	O-RING 12,0 X 2,0 / GASKET / BAQUE D'ETANCHEITE	6.362-169.0	1
11	FORMSCHRAUBE / SCREW / VIS	5.305-274.0	1
12	DUESENEINSATZ / NOZZLE INSERT / INSERT DE BUSE	5.769-138.0	1
14	VENTILBOLZEN RV-VEN / VALVE PIN / BOULON DE SOUPAPE	5.584-091.0	1
15	O-RING 4 X 2 / GASKET / BAQUE D'ETANCHEITE	6.362-851.0	1
16	ZYL.SCHR. M 8X 60 / CHEESE HEAD SCREW / VIS A TETE CYLINDR.	7.306-047.0	4
17	HUELSE / SLEEVE / DOUILLE	5.110-714.0	1
18	SCHRAUBENFEDER / HELICAL SPRING / RESSORT CYLINDRIQUE	5.332-258.0	1
19	KUGEL 7,0 / BALL / BOULE	7.401-909.0	1
20	O-RING 5,28X 1,78 / GASKET / BAQUE D'ETANCHEITE	6.362-175.0	1
21	O-RING 8,0 X 1,0 / GASKET / BAQUE D'ETANCHEITE	6.362-451.0	1
22	NIPPEL CHEMIE / NIPPLE / NIPPLE	5.443-448.0	1
23	SCHLAUCH DN 5 / HOSE / TUYAU FLEXIBLE	6.388-216.0	1
	ALS METERWARE BESTELLEN/TO ORDER AS CUT GOODS/COMMANDE COMME MARCHANDISE AU METRE		
24	FILTER / FILTER / FILTRE	4.862-032.0	1
25	ZYLINDERKOPF / CYLINDER HEAD / CULASSE	5.550-265.0	1
26	SCHEIBE / WASHER / RONDELLE	5.115-465.0	1
27	KOMPAKTDICHTUNG / SEAL / JOINT	6.365-438.0	3
28	BUCHSE / BUSH / DOUILLE	5.112-576.0	3
29	O-RING 24,0 X 1,5 / GASKET / BAQUE D'ETANCHEITE	6.362-376.0	3
30	SCHEIBE / WASHER / RONDELLE	5.115-744.0	3
31	NUTRING 14X22X5.3 / GROOVED RING / JOINT A LEVRES	6.365-432.0	3
32	ERSATZTEILSET -CHEMIE / SPARE PARTS KIT / KIT DE PIECES	2.883-862.0	1

"=> xxxxxx" = bis Werknummer / up to serial No. / jusqu' au No. de fabr. / "xxxxxx =>" = ab Werknummer / from serial No. / a partir du No. de fabr. /



Symbolbeschreibung siehe M16 / symbol description see M16 / désignation de système voir M16 /

GRUPPE: 2.3 KOLBEN
GROUP: 2.3 PISTON
GRUPPE: 2.3 PISTON

G2

HD 2500 MTD

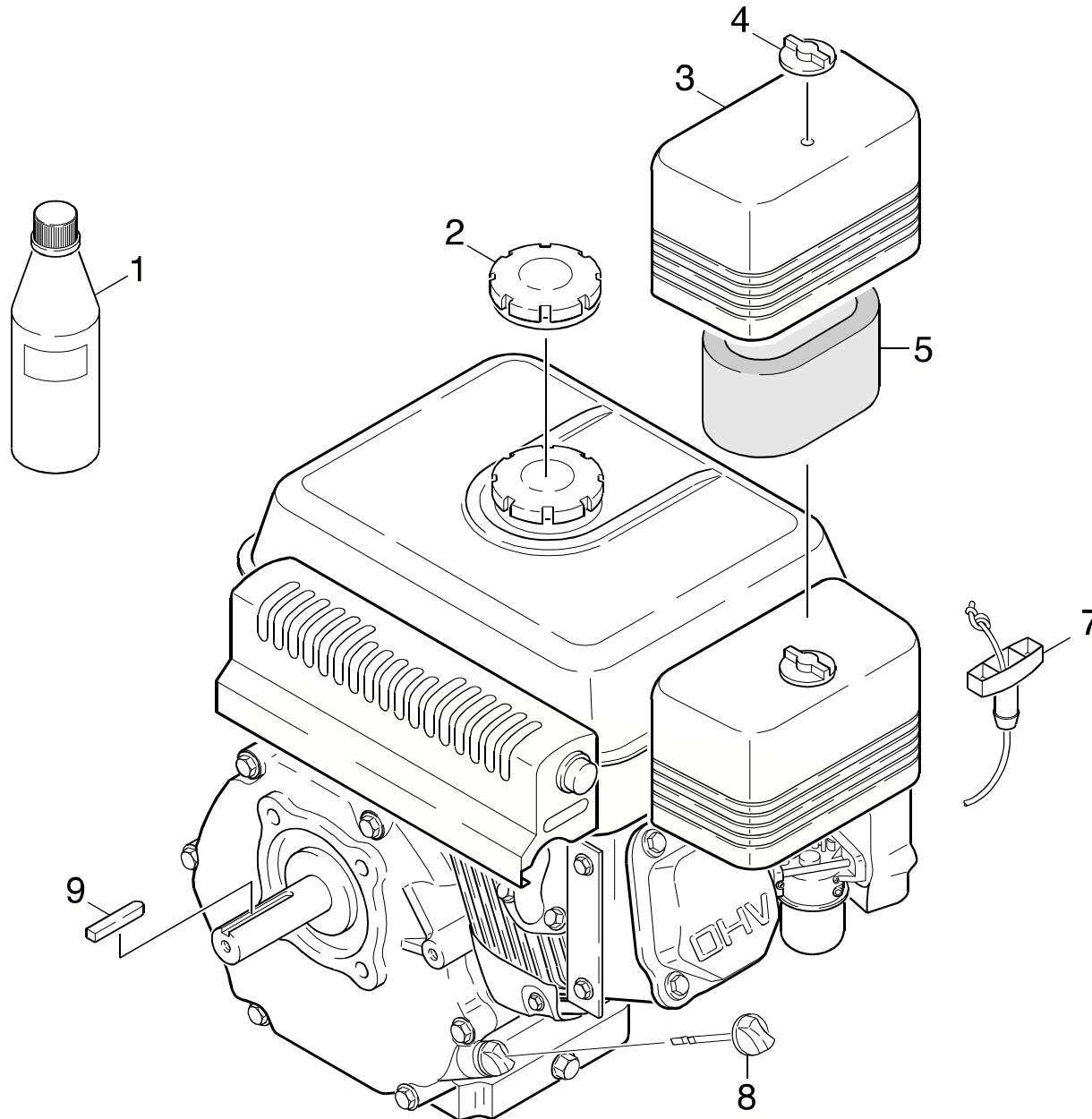
POS.	BENNENUNG	TEILE-NR.	STCK
ITM.	DESCRIPTION	PART-NO.	QTY.
POS.	DESIGNATION	NO.PIECE	NBR.
1	NUTRING 14X22X5/7 / GROOVED RING / JOINT A LEVRES	6.365-340.0	3
2	GERADSCHUBFUEHRUNG / HOUSING / BOITIER	5.060-677.0	1
3	O-RING 92X2 / GASKET / BAQUE D'ETANCHEITE	6.363-067.0	1
4	RING / RING / BAGUE	5.114-477.0	1
5	FEDER / SPRING / RESSORT	5.332-427.0	3
6	KOLBEN / PISTON / PISTON	5.553-434.0	3
7	FORMTEIL / MOULDED PART / PREFORME	5.030-625.0	3
8	SCHRAUBE M 6X 16 / SCREW / VIS	7.303-047.0	2

"=> xxxxxx" = bis Werknummer / up to serial No. / jusqu' au No. de fabr. / "xxxxxx =>" = ab Werknummer / from serial No. / a partir du No. de fabr. /

GRUPPE: 3.1 MOTOR
GROUP: 3.1 MOTOR
GRUPPE: 3.1 MOTEUR

B3

HD 2500 MTD



Symbolbeschreibung siehe M16 / symbol description see M16 / désignation de système voir M16 /

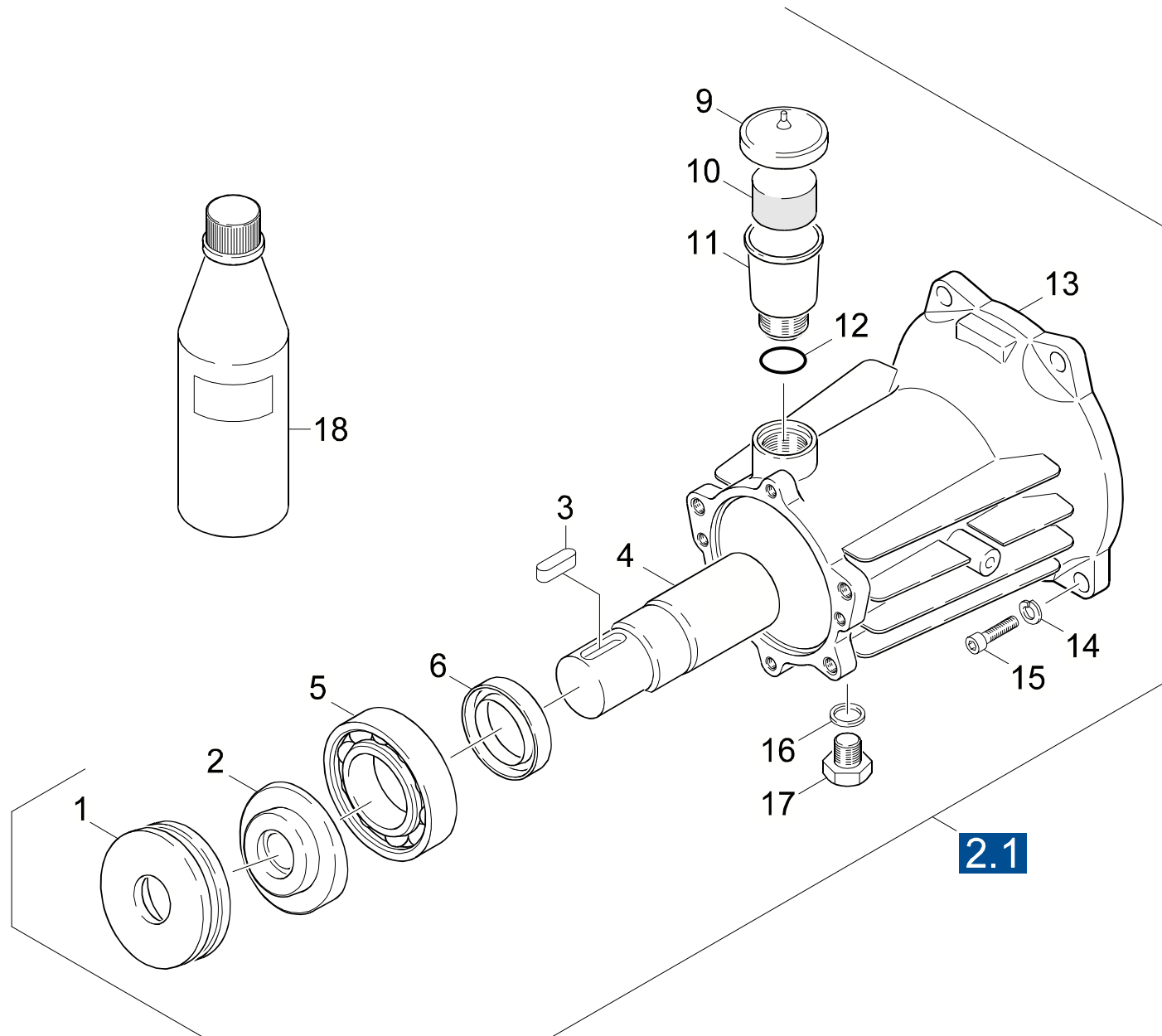
GRUPPE: 3.1 MOTOR
GROUP: 3.1 MOTOR
GRUPPE: 3.1 MOTEUR

C3

HD 2500 MTD

POS.	BENNENUNG	TEILE-NR.	STCK
ITM.	DESCRIPTION	PART-NO.	QTY.
POS.	DESIGNATION	NO.PIECE	NBR.
1	MOTORENOEL 1L / ENGINE OIL / HUILE (MOTEUR)	6.288-050.0	1
2	TANKDECKEL KPL. / CAP OF A TANK / BOUCHON DE RESERVOIR	6.491-347.0	1
7	ANLASSERSEIL KPL. / STARTER ROPE / CABLE DE DEMARRAGE	6.491-350.0	1
8	OELMESSTAB / OIL DIP ROD / JAUGE NIVEAU D'HUILE	9.194-492.0	1
9	PASSFEDER 6,3X38 / SPRING / RESSORT D'ADJUSTAGE	6.491-176.0	1

"=> xxxxxx" = bis Werknummer / up to serial No. / jusqu' au No. de fabr. / "xxxxxx =>" = ab Werknummer / from serial No. / a partir du No. de fabr. /



Symbolbeschreibung siehe M16 / symbol description see M16 / désignation de système voir M16 /

GRUPPE: 3.2 ANTRIEB
GROUP: 3.2 GEAR
GROUPE: 3.2 ENTRAINEMENT

E3

HD 2500 MTD

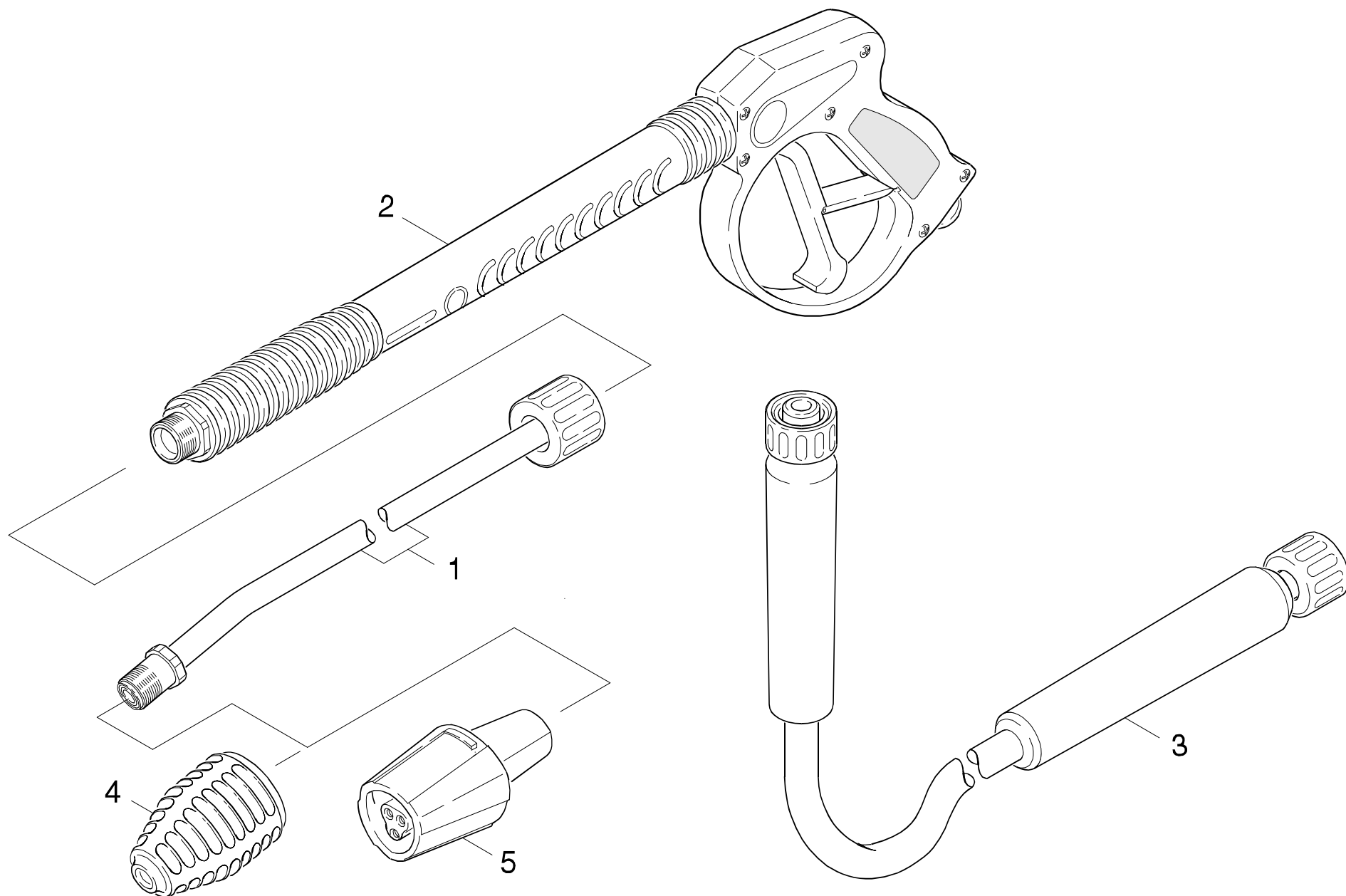
POS. ITM. POS.	BENNENNUNG DESCRIPTION DESIGNATION	TEILE-NR. PART-NO. NO.PIECE	STCK QTY. NBR.
1	AXIALRILLENKUGELLA. / AXIAL BALL BEARING / AXIAL ROULEMENT A BILLE	6.401-185.0	1
2	TAUMELSCHIEBE / SWASH PLATE / DISQUE EN NUTATION	5.120-326.0	1
3	PASSFEDER 5X 5X 16 / SPRING / RESSORT D'ADJUSTAGE	7.318-002.0	1
4	KUPPLUNGSTEIL / COUPLING ELEMENT / PIECE D'ACCOUPL.	5.471-107.0	1
5	SCHRAEGKUGELLAGER / ANG.BALL BEARING / ROULEMENT A BILLES	6.401-332.0	1
6	RWDR A26 X 37 X 7 / ROTARY SHAFT SEAL / JOINT (ARBRE)	7.367-018.0	1
9	DECKEL / COVER / COUVERCLE	5.063-651.0	1
10	STOPFEN / PLUG / BOUCHON	5.132-107.0	1
11	BEHAELTER / TANK / BAC	5.070-194.0	1
12	O-RING 22,3 X 2,4 / GASKET / BAQUE D'ETANCHEITE	6.362-168.0	1
13	GEHAUSE / HOUSING / BOITIER	5.093-207.0	1
14	SCHEIBE / WASHER / RONDELLE	6.312-066.0	1
15	SCHRAUBE 3/8"-16 / SCREW / VIS	9.196-015.0	1
16	DICHTRING 10 X13,5 / JOINT RING / BAGUE D'ETANCHEITE	7.362-003.0	1
17	VS-SCHRAUBE M10X1,0 / CLOSING SCREW / VIS DE FERMETURE	7.382-085.0	1
18	MOTORENOEL 1L / ENGINE OIL / HUILE (MOTEUR)	6.288-050.0	1

"=> xxxxxx" = bis Werknummer / up to serial No. / jusqu' au No. de fabr. / "xxxxxx =>" = ab Werknummer / from serial No. / a partir du No. de fabr. /

GRUPPE: 4.0 HANDSPRITZPISTOLE
GROUP: 4.0 TRIGGER GUN
GRUPPE: 4.0 POIGNEE PISTOLET

B4

HD 2500 MTD



Symbolbeschreibung siehe M16 / symbol description see M16 / désignation de système voir M16 /

GRUPPE: 4.0 HANDSPRITZPISTOLE
GROUP: 4.0 TRIGGER GUN
GRUPPE: 4.0 POIGNEE PISTOLET

C4

HD 2500 MTD

POS.	BENNENUNG	TEILE-NR.	STCK
ITM.	DESCRIPTION	PART-NO.	QTY.
POS.	DESIGNATION	NO.PIECE	NBR.
1	STRAHLROHR / JET PIPE / LANCE D'INCENDIE	9.112-504.0	1
2	HANDSPRITZPISTOLE / TRIGGER GUN / POIGNEE PISTOLET	9.112-010.0	1
3	HD-SCHLAUCH DN 8 / HIGH PRESSURE HOSE / TUYAU FLEXIBLE HAUTE PRE.	6.389-891.0	1
4	ROTORDUESE / ROTARY NOZZLE / BUSE JET ROTATIF	9.311-056.0	1

"=> xxxxxx" = bis Werknummer / up to serial No. / jusqu' au No. de fabr. / "xxxxxx =>" = ab Werknummer / from serial No. / a partir du No. de fabr. /